



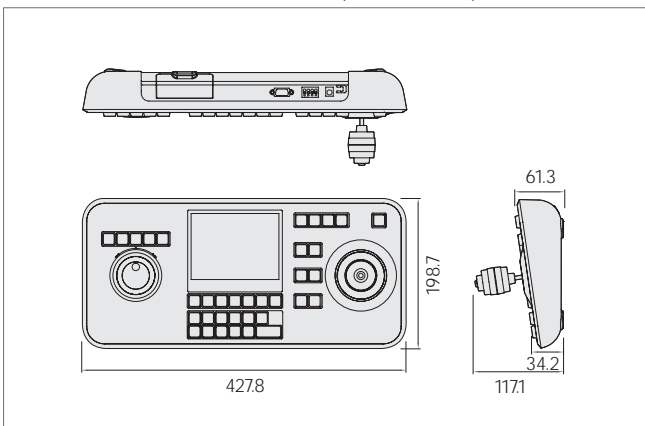
SSC-2000(P)

Touch Screen System Keyboard

Features

- Long distance control : Up to 1.2km on RS-485 communication.
- Maximum 32 keyboards can be connected simultaneously
- 5.7" graphic panel
- Durable 3-axis PTZ joystick
- User friendly touch screen interface
- Camera, DVR and multiplexer selection
- Jog/Shuttle controls

Dimensions (unit : mm)



Rear Panel



Specifications

		SSC-2000(P)
Interface Type (RS-485)	Connector Type	4P Terminal Type
	Port	1 Port
	Baud Rate	4,800/9,600/19,200/38,400bps
Interface Type (RS-232C)	Connector Type	D-SUB 9P
	Port	1 Port
	Baud Rate	600/1,200/2,400/4,800/9,600/19,200/38,400/57,600bps
LCD Panel		5.7" Graphic Panel(320 x240 line) + Touch Panel
	Viewing Angle	Left(39°), Right(32°), Rear(10°), Front(30°)
	Inclination Angle	Min(8.4°), Max(15.9°)
LED		Monitor, Camera, Multiplexer, DVR
Pan/Tilt & Lens Control	PAN	Left/Right
	Tilt	Up/Down
	Iris	Close/Open
	Focus	Near/Far
	Zoom	Tele/Wide
DVR Control		Preset, Pattern, Auto Pan, Scan
	SW	RW, Stop, Play, FF, REC.
	Jog/Shuttle	Forward/Reverse, Play/Reverse Play/FF/RW
Power		DC 12V, 600mA
Power Consumption		BELOW 3W
Dimensions(W x D x H)	Net	427.8 x 198.7 x 117.1
	Package	496 x 206 x 288 mm
Weight	Net	1.36Kg
	Package	2.6Kg
Packing		502 x 272 x 190 mm

* "P" indicates PAL model & "N" or no specific alphabet after the model name indicates NTSC model.