



For Security
Vari-Focal

YV2.7×2.9LR4D-SA2

Applicable camera (model)

1	2/3	1/2	1/3	1/4
---	-----	-----	-----	-----

2.7×



VARI
Vari-Focal

WIDE
Wide Angle

Day~Night
Day & Night

DC
DC Auto Iris

CS-mt
CS Mount

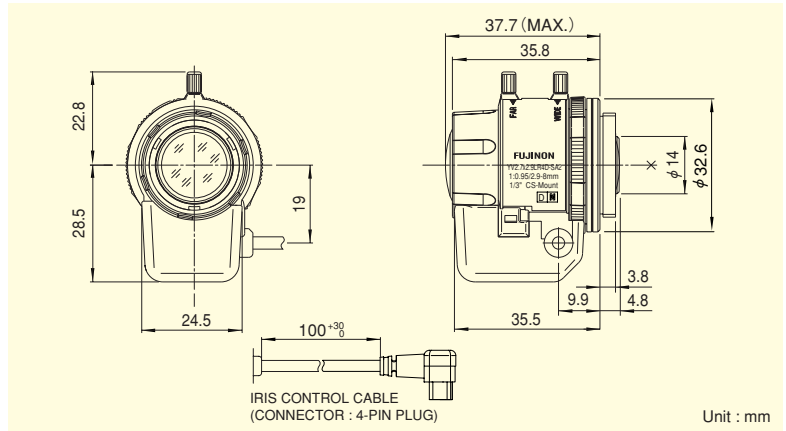
METAL
Metal Mount

N D
ND Filter

230
Long Cable

AIT
Aspherical Lens

F0.95
Wide Aperture Rate



- Advanced design engineering and special optic glass adopted, best suited for color, Black and White and Day and Night cameras.
- Unparalleled brightness at the maximum aperture of F0.95, optimizing the performance at low lighting intensity.
- Super wide angle spec, WIDE2.9mm, achieving the horizontal field angle of 94 degrees (when used on 1/3 cameras).
- Compact and lightweight design, best suited for the use with dome cameras.
- High accuracy aspheric lens adopted, achieving the high quality image.

VARI-FOCAL LENSES

Focal Length (mm)		2.9~8 (2.7×	
Iris Range		F0.95 ~ T360 (Equivalent to F360)	
Operation	Zoom	Manual	
	Focus	Manual	
	Iris	Auto (DC Type) (*1)	
Angle Of View (H×V)	1/3"	WIDE	94°37' × 69°30'
		TELE	35°18' × 26°26'
	1/4"	WIDE	69°29' × 51°29'
		TELE	26°22' × 19°46'
Focusing Range (From Front Of The Lens) (m)		∞ ~ 0.3	
Object Dimensions at M.O.D. (H×V) (mm)	1/3"	WIDE	670 × 428
		TELE	196 × 145
	1/4"	WIDE	428 × 298
		TELE	145 × 107
Back Focal Distance (in air) (mm)		7.72	
Exit Pupil Position (From Image Plane) (mm)		74	
Filter Thread (mm)		—	
Mount		CS	
Mass (g)		45	
Coil Resistance		Drive Coil	190Ω
		Damping Coil	500Ω
Current Consumption		23mA (Max.) at DC 4V	
Remarks		<ul style="list-style-type: none"> • With Metal Mount (*1) When power is turned off, iris will automatically be closed. YV2.7×2.9LR4D-SA2L : Long Cable Type (230mm)	

Wiring

